

PXI case system 3/4 U



12306001

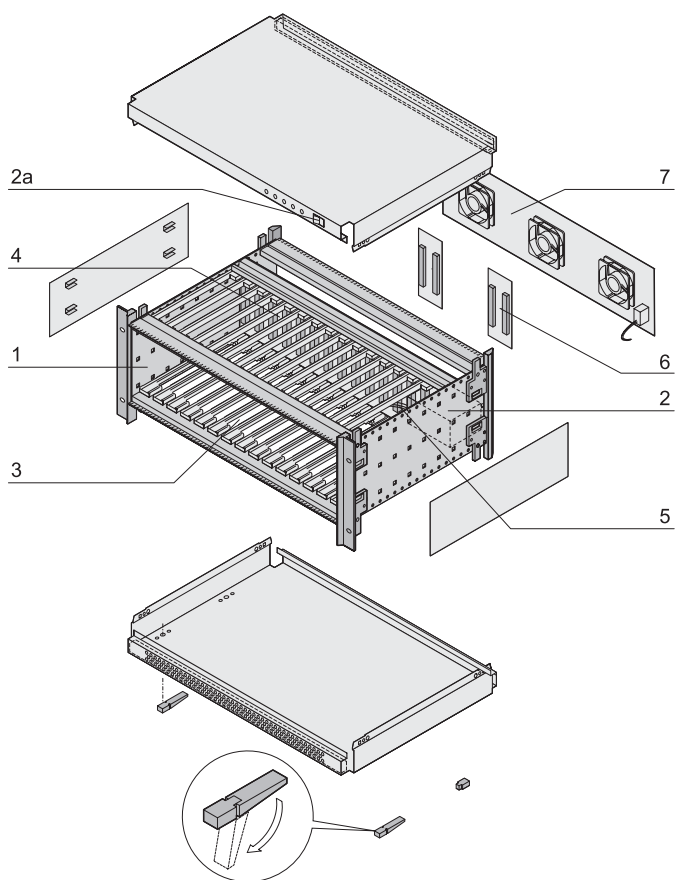
- Shielded ratiopacPRO case system in accordance with IEEE 1101 for the assembly of backplanes 8 ... 21 slot
- Pluggable PXI bridge 64 bit for the connection of the backplane segments
- Internal/external clock switching
- High performance power supply

Delivery comprises (completely assembled and wired)

Item	Qty	Description
1	1	ratiopacPRO air case with folding feet, shielded, perforated air input/output openings, 19" mounting angles (42 HP version with handles), height 177 mm, width, depth see order information
2	1	42 HP version with ATX power supply 84 HP version with open frame power supply (performance data see order information)
3	1	Assembly area for boards 3 U, 160 mm, deep, IEEE guide rails incl. ESD clips assembled, system slot on the right
4	1	Backplane PICMG 3.0 and PXI 2.0
5	1	Cable harness for the connection power supply with backplane
6	1	PXI bridge (see order information)
7	1	Fan rear panel

Note

- Please order equipment cable separately, see page 8.58



12306050

Order Information

Height	Board height	Width	Depth	System slot	Backplane	Bridge	Number of fans	Power supply	Order no.
U	U	HP	mm						
4	3	42	355	left	3 U, 8 slot, 64 bit	–	1	ATX 400 W (3.3 V / 28 A, 5 V / 40 A, 12 V / 12 A, -12 V / 1 A)	14579-008
4	3	42	500	left	2 x 3 U, 7 slot, 64 bit	1 x 64 bit	3	Open frame 450 W (3.3 V / 35 A, 5 V / 35 A, 12 V / 10 A, -12 V / 5 A)	14579-014
4	3	42	500	left	2 x 3 U, 7 slot, 64 bit; 1 x 3 U, 4 slot, 64 bit	2 x 64 bit	3	Open frame 650 W (3.3 V / 40 A, 5 V / 60 A, 12 V / 12 A, -12 V / 10 A)	14579-018
4	3	42	500	left	3 x 3 U, 7 slot, 64 bit	2 x 64 bit	3	Open Frame 650 W (3.3 V / 40 A, 5 V / 60 A, 12 V / 12 A, -12 V / 10 A)	14579-021