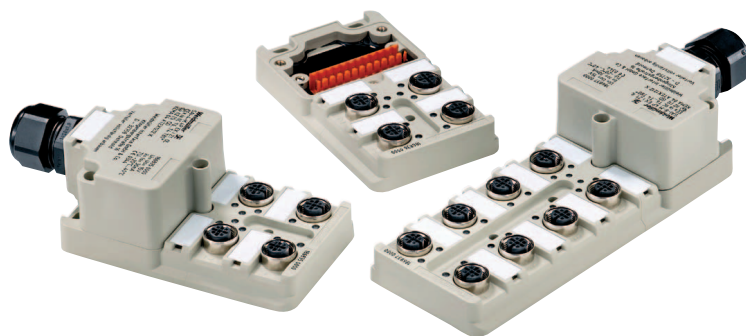


SAI distributors for Ex i Zone 1 hazardous areas

NEW



Innovation:

Groundbreaking SAI distributors with M12 connection technology to IP 68 for hazardous areas (Ex i).

SAI Ex i distributors, certified for Zone 1 hazardous areas, as well as for the areas G and D.

SAI Ex i distributors are available with 4 or 8 connections for easy connection of NAMUR sensors. That means that distribution boxes requiring painstaking approvals are now a thing of the past. These modules are not only suitable for process engineering, but they also provide first-rate solutions for the conventional machine-building industry. The different versions are optionally available with or without a yellow LED.

The distributors are available with a removable connection hood. This detail contributes towards reducing costs, because should a defect to the bus cable occur then only this needs to be replaced and not the complete distributor.

It has never been easier to make a connection in a hazardous area.

United Kingdom

Weidmüller Ltd.
1 Abbey Wood Road
Kings Hill
West Malling
Kent ME19 4YT
Phone +44 1732 877032
Fax +44 1732 873873
info@weidmuller.co.uk
www.weidmueller.com

USA

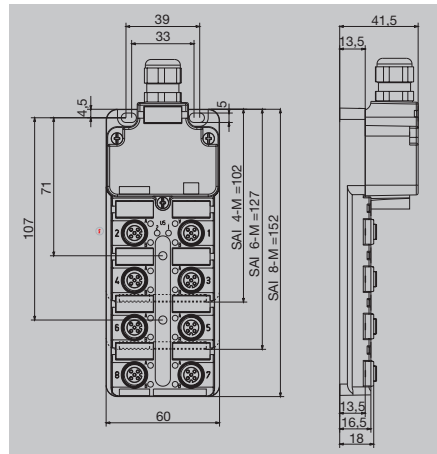
W-Interconnections, Inc.
821 Southlake Boulevard,
Richmond, VA 23236
Phone +1 804 7942877
Fax +1 804 3792593
info@weidmuller.com
www.weidmuller.com

Other countries

Weidmüller Interface GmbH & Co. KG
P.O. Box 3030
D-32720 Detmold
Phone +49 5231 14-0
Fax +49 5231 14-20 83
info@weidmueller.com
www.weidmueller.com

M12 distributor

Hood version



Ordering data

Complete modules	
	4 channel
	6 channel
	8 channel
Without LED	4 channel
Without LED	8 channel
Tension spring connection	8 channel
Bottom parts	
	4 channel
	6 channel
	8 channel
Without initiator-LED, for analogue signals	8 channel
Mounting hood	
	Tension spring connection
	Screw connection
Complete without LED	8 channel
Complete module NPN	8 channel

SAI-4/8-M 4P Ex i Z1 4-pole

Type	Qty.	Order No.
SAI-4-M 4P Ex i Z1 IL	1	1868360000
SAI-8-M 4P Ex i Z1 IL	1	1868370000
SAI-4-M 4P Ex i Z1 OL	1	1868350000
SAI-8-M 4P Ex i Z1 OL	1	1894380000

Information

Additional versions on request

Technical data

Rated voltage	15 V
Operating voltage	5 V ... 15 V
max. current carrying capacity per input/output-Signal	30 mA
max. current carrying capacity per channel	30 mA
max. total current	2.3 A
Pollution severity	3
Class of protection	IP 68
Ambient temperature range	-20 °C ... 80 °C
Enclosure material	Pocan
Contact carrier	PBT (UL 94 V0)
Base material of Contacts	CuZn, pre-nickel- and gold-plated
Threaded bush	CuZn, nickel-plated
Enclosure colour	grey, RAL 7032
Flammability class UL94	V-0
Clamping range of hood version	0.1 mm ² ... 1.5 mm ²
Dragline serviceability (fixed cable connection)	

Depending on the sensor, the intensity of the light can fluctuate.

Wiring diagram

