

Overvoltage Protection in SAI SAI-8-M M12 Circular Connectors



Overvoltage combination in SAI-8-M, M12 circular connectors

- 3-stage protection combination with gas-filled arrestor, varistor and suppressor-diode
- Pluggable connection module for bus cables
- M12 8-channel as 5-pole version
- Protection class IP68
- Standardised mating face
- Protection for bidirectional circuits
- PE-connection by means of a special housing attachment

United Kingdom

Weidmüller Ltd.
1 Abbey Wood Road, Kings Hill
West Malling, Kent ME19 4YT
Phone +44 1732-877000
Fax +44 1732-873873
info@weidmuller.co.uk
<http://www.weidmueller.com>

USA

W-Interconnections, Inc.
821 Southlake Boulevard,
Richmond, VA 23236
Phone +1 804-7942877
Fax +1 804-3792593
info@weidmuller.com
<http://www.weidmuller.com>

Other countries

Weidmüller Interface GmbH & Co. KG
Postfach 3030
32720 Detmold
Phone +49 5231-14-0
Fax +49 5231-14-2083
info@weidmueller.com
<http://www.weidmueller.com>

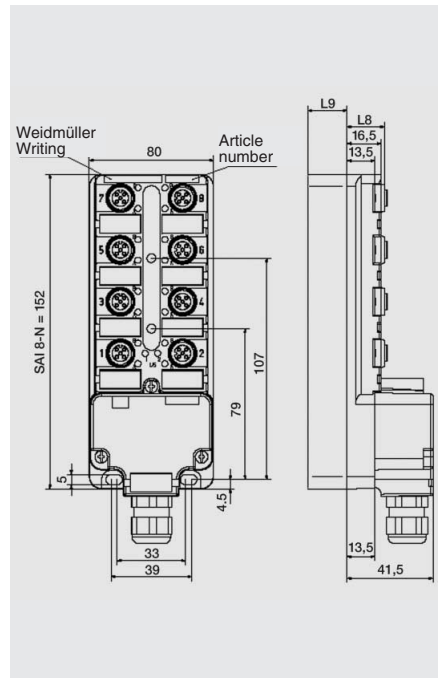
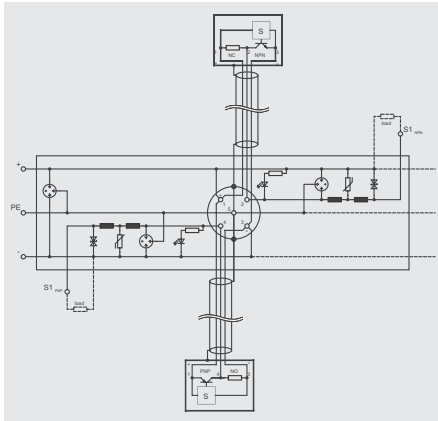
Overvoltage Protection in SAI

Overvoltage protection combination

Suitable for binary signals in SAI-8-M M12 circular connectors

SAI-8-M 5P M12 OVP

Hood 8-channel 5-pole



Technical data

Voltage, nominal, U_n
 Voltage, max. U_c
 Gas-filled arrestor
 Varistor
 Suppressor diode
 Response time, t_a , typical
 Nominal current max.
 Discharge current, nom I_N (8/20) wire – wire / wire – PE
 Max. discharge current (8/20) wire – wire / wire – PE
 Protection level wire to wire U_p
 Protection level wire to PE U_p
 Discharge current at U_n to PE
 Resistance each line
 Temperature range
 Overvoltage protection class / pollution degree
 Protection class
 Approvals

Voltage, nominal, U_n	24 Vdc
Voltage, max. U_c	30 Vdc
Gas-filled arrestor	90 V 10 kA
Varistor	30 V
Suppressor diode	33 V
Response time, t_a , typical	< 100 ps
Nominal current max.	< 0.35 A for each channel
Discharge current, nom I_N (8/20) wire – wire / wire – PE	5 kA / 5 kA
Max. discharge current (8/20) wire – wire / wire – PE	10 kA / 10 kA
Protection level wire to wire U_p	< 45 V
Protection level wire to PE U_p	< 90 V
Discharge current at U_n to PE	< 1 μ A
Resistance each line	8.5 Ohm
Temperature range	-25 °C ... +40 °C
Overvoltage protection class / pollution degree	II/2
Protection class	IP68
Approvals	In preparation

Dimensions

Length x Width x Height mm 60 x 65 x 152

Note

Ordering data

Version
 Hood, 8-channel, 5-pole

Type	QTY	Cat. No.
SAI-8-M 5P M12 OVP		1864750000

Note

Accessories

Note