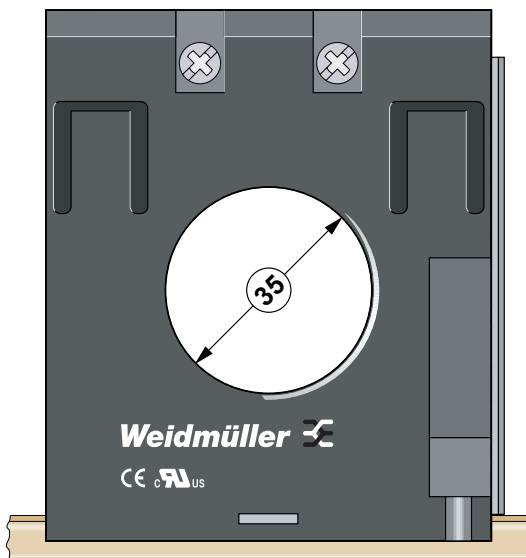


**Current transformer CMA 100/5A**  
**Current transformer CMA 250/5A**  
**Current transformer CMA 500/5A**

## NEW



The current transformer transforms larger alternating currents to a proportional secondary current.

Accuracy class 1, together with the large power reserves ( $P_N: 2,5 \text{ VA}$ ) and a high overload capability (up to 150%) make the CMA an ideal transformer both for general usage and to extend the WAVECONTROL family's field of applications for the measurement of currents.

- The transformers can be attached together at their sides
- International approvals
- 35-mm through-hole opening



#### United Kingdom

Weidmüller Ltd.  
1 Abbey Wood Road, Kings Hill  
West Malling, Kent ME19 4YT  
Phone +44 1732 877032  
Fax +44 1732 873873  
Info@weidmuller.co.uk  
<http://www.weidmueller.com>

#### USA

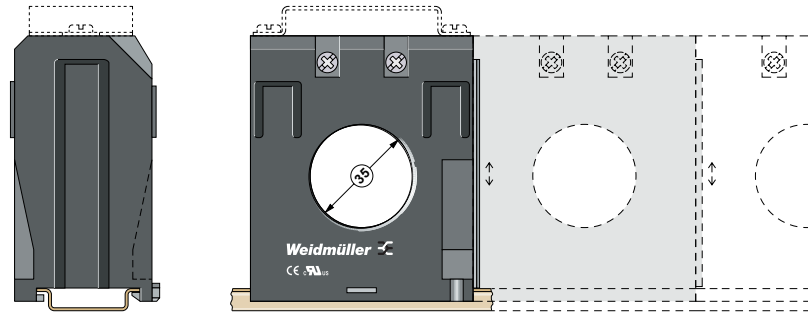
Weidmüller Inc.  
21 Southlake Boulevard  
Richmond, Virginia 23236  
Phone +1 804 7942877  
Fax +1 804 3792593  
info@weidmuller.com  
<http://www.weidmuller.com>

#### Other countries

Weidmüller Interface GmbH & Co.  
Postfach 3030  
32720 Detmold  
Phone +49 5231 14-0  
Fax +49 5231 14-2083  
info@weidmueller.com  
<http://www.weidmueller.com>

# Current transformer CMA

**CMA 100/5A  
CMA 250/5A  
CMA 500/5A**



## Approvals:



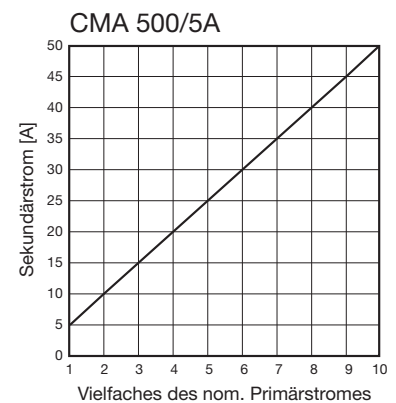
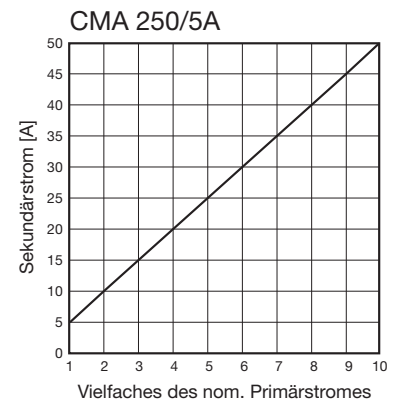
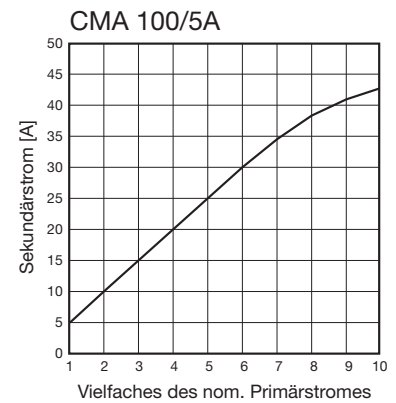
Ordering data	Type	Part No.	Qty.
	CMA 100/5A	8662140000	1
	CMA 250/5A	8664570000	1
	CMA 500/5A	8664580000	1

Technical data	
Primary current	100 A / 250 A / 500 A
Secondary current	5 A
Performance (1 %)	2.5 VA
Accuracy class	1 %
Nominal frequency	50/60 Hz
Frequency range Kl 1.5	16...400 Hz
Overload capability 100 % DR Cl. 1 / Cl. 1,5	1.2 / 1.5
Thermal current $I_{th}$	40 kA
Fault-current factor / rated security factor $F_S$	< 5
Isolation	> 4 kVrms 1 min
Duration of rated operational voltage (bare wire)	600 Vrms
Input voltage max.	720 Vrms

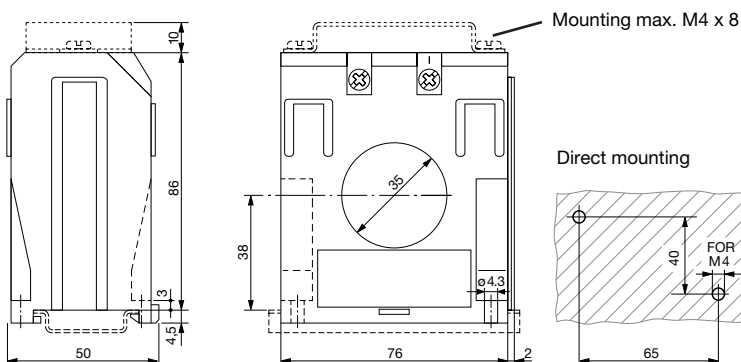
General data	
Housing	Self extinguishing plastic: PC Lexan 940, GE, or similar
Storage temperature	-40 °C ... + 85 °C
Temperature range	- 5 °C ... + 40 °C
Humidity	10 % ... 95 %, non-condensing
Dimensions L/H/B (mm)	76 x 86 x 50
Weight	540 g
Mount	DIN mounting rail TS 35
Approvals	CE, cUL

## Transfer/saturation curve

measured with a load impedance  $R=0,1 \Omega$



## Maßbild



**Instruction:** A short-circuiting link is to be used in the secondary circuit for an open-circuit output, because the module is not equipped with a current limiting function. An open-circuit output can lead to the destruction of the module.

