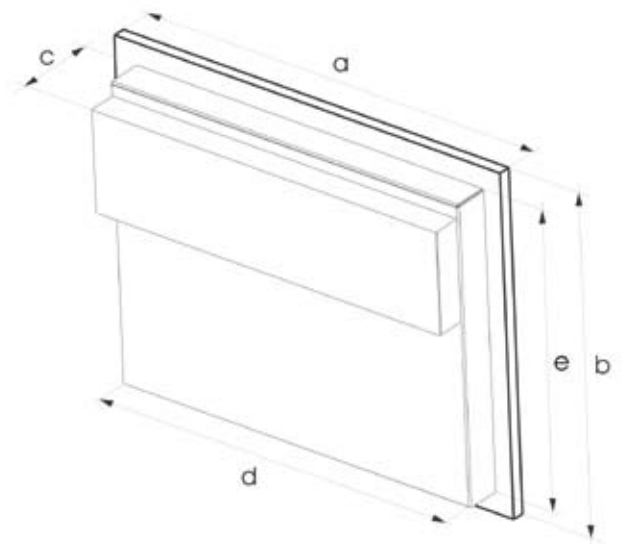


Technical Data

DM 200					
Product Type	Compact industrial monitor for front mounting				
Front Unit	12"	15"	17"	19"	21"
Resolution	800x600	1024x768	1280x1024		1600x1200
Luminosity [cd/m ²]	400	430	300		250
Contrast Ratio	500:1	450:1	700:1	800:1	500:1
MTBF backlight tubes [h]	50.000				
Method of operating	Resistive Touchscreen, 6-wire technology				
Touchcontroller	Alternatively USB or RS232				
Rating	IP65 according EN 60529				
General characteristics					
Power Supply	90-264 VAC autorange 24VDC optional				
Power consumption	30 W for 15" Display				
Guarantee	24 Months ¹				
Interfaces					
VGA / DVI	Connect with the VGA or optional DVI-Output of your box PC				
Touch	Connect with the USB- or RS232-Port of your box PC (depending from the type of the chosen Touchcontroller)				
Ambient Conditions					
Vibration resistance	0,67G (5-500Mhz)				
Shock resistance	300G/2ms				
EMC	EN 55011, 55022, 500081				
Temperature	+5°C to +45°C max.				
Relative humidity	5% to 80% at 25°C (no humidity/condense)				
Authorization	CE				
Dimensions [mm]					
	12"	15"	17"	19"	21"
a:	400	460	472	540	
b:	310	360	383	440	
c:	65	70		75	
d:	370	429	440	509	
e:	290	337	363	406	
Weight	ca. 4 kg	ca. 5kg	ca. 6kg	ca. 7kg	
Mechanical Characteristics					
Front	Alloy anodised, chemical resistant polyester foil				



¹ warranty ex works, normally 24 months, fixed at order.
All data refer on print date, errors and changes excepted

Highlights

- Low profile
- Luminosity up to 430 cd/m²
- Contrast up to 800:1
- Screen size from 12" to 21"
- DVI input optional



DM 200 Configuration

	1	2	3	4	5	6	7	8
Monitor								
12" TFT Display, 800x600 Pixel	1							
15" TFT Display, 1024x768 Pixel	2							
17" TFT Display, 1280x1024 Pixel	3							
19" TFT Display, 1280x1024 Pixel	4							
21" TFT Display, 1600x1200 Pixel	5							
Graphic Interface								
VGA	0							
DVI (24+1) dual link	1							
Devices								
no configuration			0	0	0			
Power								
110/220VAC, autorange						1		
24VDC, option						2		
Front								
DIVUS foil							0	
neutral, 1 colors							1	
customized ¹							2	
Operating system								
no configuration								0

Your order code: **DM 200**



¹ Frontfoil: min. delivery 25 pcs