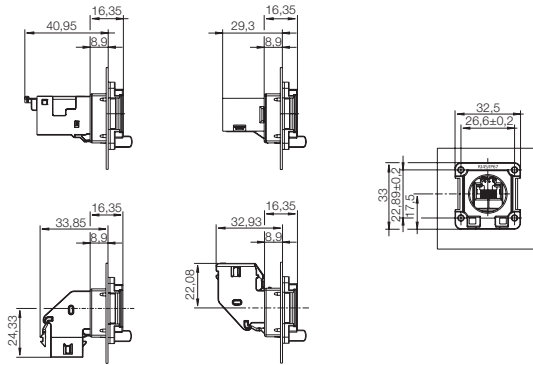


Weidmüller IE-LINE RJ45

Built-in flange V 06

- Cat.6
- IP 67



V 06 mounting flange

Application:

Weidmüller's mounting flanges are your best choice when you need IP 67 connections at the switching cabinet or distribution board.

TVariations:

- 8808440000: RJ45 module insert for connection of conductors ranging from AWG 26 to AWG 22; Colour coding acc. to EIA/TIA 568 A
- 8808450000: coupling insert for RJ45 to RJ45, straight version
- 8829450000: coupling insert for RJ45 to RJ45, downwards angled version
- 8829440000: coupling insert for RJ45 to RJ45, upwards angled version
- 8892670000: coupling insert for USB to USB

Ordering data

Coupling flange	Type	Order No.
straight	IE-X1M-FJ45/RJ45-IP67	8808450000
Angled, downwards	IE-XM-6D-RJ45/RJ45-IP67	8829450000
Angled, upwards	IE-XM-6U-RJ45/RJ45-IP67	8829440000
RJ45 module flange		
straight	IE-XM-RJ45/DC-IP67	8808440000
USB flange		
	IE-XM-USB/USB-IP67	8892670000

Accessories

Flange insert	Type	Order No.
RJ45 module A, straight	IE-XRJ45/DC	8808330000
RJ45 module B, straight	IE-XRJ45/DC-B	8908840000
RJ45 coupling, straight	IE-XRJ45/RJ45	8878120000
RJ45 coupling, angled	IE-U-XRJ45/RJ45	8878130000
Note		

Technical data

Category	Cat.6 (IEC 11801)
Protection class	IP 67
Housing material	PA 66; UL 94: V-0
Colour	light grey (RAL 7035)
Shielding	360° shield contact
Installation	in switching cabinet or junction boxes
Plugging cycles	750 plugging cycles for plugs to IEC 60603-7

Note:

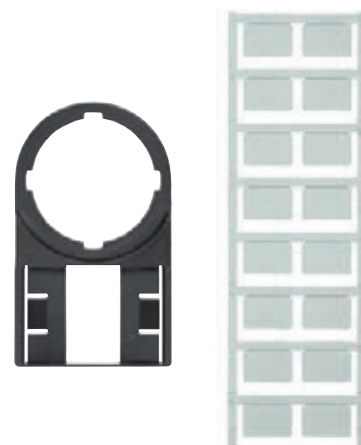
FrontCom® Micro

- Cat.6A
- IP 65

FrontCom® Micro



Markers, FrontCom® Micro



Technical data

Category
 Protection class
 Housing material
 Colour
 Shielding
 Installation
 Plugging cycles

Cat. 6A / Class E_A (IEC 11801 PDAM Am 1.2 2007)
 IP 65 gemäß EN 60529
 PA; UL 94: V-0 (Protective cap NBR)
 black
 360° shield contact
 to electrical cabinet, distribution board or control panel
 750 plugging cycles for connectors, according to IEC 60603-7

Application:

Weidmüller's FrontCom® Micros are your best choice when you need an IP65 connection at the control panel, electrical cabinet or distribution board.

The differences:

- 1018790000: Coupling insert for RJ45 to RJ45, straight version
- 1018810000: RJ45 module insert for connecting AWG 26 – AWG 22 wires; colour coding according to EIA/TIA 568 A
- 1018820000: RJ45 module insert for connecting wires from AWG 26 to AWG 22; colour coding according to EIA/TIA 568 B
- 1018830000: RJ45 module insert for connecting wires from AWG 26 to AWG 22; colour coding according to industrial Ethernet
- 1018840000: Coupling insert for USB to USB

Ordering data

Product description
FrontCom® Micro RJ45 Coupling
FrontCom® Micro RJ45, TIA-A Module
FrontCom® Micro RJ45, TIA-B Module
FrontCom® Micro RJ45, Industrial Ethernet Module
FrontCom® USB Coupling
SwitchMark holder
SwitchMark markers, white

Type	Order No.
IE-FCM-RJ45-C	1018790000
IE-FCM-RJ45-FJ-A	1018810000
IE-FCM-RJ45-FJ-B	1018820000
IE-FCM-RJ45-FJ-P	1018830000
IE-FCM-USB-A	1018840000
SM-H 27/18	1716630000
SM 27/18 MC	1699860000

Note: Refer to Catalogue 7 for additional variants.