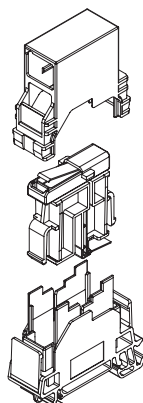




Mounting rail outlet RJ45

- Cat.6A
- IP 20
- TS35



RJ45-C RJ45-FJ-A RJ45-FJ-B RJ45-FJ-P

Mounting rail outlet RJ45

Application:

Weidmüller mounting rail outlets should be your first choice in the switchgear cabinet when you need to connect

- installation cables,
- RJ45 cables,

Variations:

- 8946920000: RJ45 coupling
- 8946930000: Outlet RJ45 A-coded
- 8946940000: Outlet RJ45 B-coded
- 8946950000: Outlet RJ45 ProfiNet-coded

Ordering data

RJ45	Type	Order No.
RJ45 coupling	IE-TO-RJ45-C	8946920000
Outlet RJ45 A-coded	IE-TO-RJ45-FJ-A	8946930000
Outlet RJ45 B-coded	IE-TO-RJ45-FJ-B	8946940000
Outlet RJ45 PROFINET-coded	IE-TO-RJ45-FJ-P	8946950000

Accessories

markers	Type	Order No.
9*11 mm, white	ESG 9/11K MC NEUTRAL	1857440000
Labels		
9*11 mm, white	LM MT DIN A5 9/11 WS	1964070000
9*11 mm, blue	LM MT DIN A5 9/11 BL	1964100000
9*11 mm, yellow	LM MT DIN A5 9/11 GE	1964110000
9*11 mm, grey	LM MT DIN A5 9/11 GR	1964080000
9*11 mm, green	LM MT DIN A5 9/11 GN	1964120000
9*11 mm, orange	LM MT DIN A5 9/11 OR	1964090000
Note		

Technical data

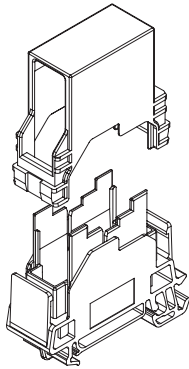
Category	Cat. 6A / Class E _x (IEC 11801 PDAM Am 1.2 2007)
Protection class	IP 20
Housing material	PA UL94 VO
Colour	light grey (RAL 7035)
Installation	for terminal rail TS35
Configuration	Switchable voltage connection from module / coupling to mounting rail
Plugging cycles	750 plugging cycles for plugs to IEC 60603-7
Operating temperature, min. / max.	-25 °C / 70 °C

Note:

Weidmüller IE-LINE

Mounting rail outlet FO

- IP 20
- TS35



Mounting rail outlet FO

Application:

Weidmüller mounting rail outlets should be your first choice in the switchgear cabinet when you need to connect

- fibre optic cable with SC-Duplex-, SCRJ- and LC-duplex connectors.

Variations:

- 8946970000: SC-Duplex Multi-mode
- 8946980000: SC-Duplex Single-mode
- 8946990000: SCRJ Multi-mode
- 8947000000: SCRJ Single-mode
- 8947010000: LC-Duplex Multi-mode
- 8947020000: LC-Duplex Single-mode

Ordering data

Fibre-optic		Type	Order No.
	LCD multi-mode	IE-TO-LCD-MM	8947010000
	LCD single-mode	IE-TO-LCD-SM	8947020000
	SCD multi-mode	IE-TO-SCD-MM	8946970000
	SCD single-mode	IE-TO-SCD-SM	8946980000
	SCRJ multi-mode	IE-TO-SCRJ-MM	8946990000
	SCRJ single-mode	IE-TO-SCRJ-SM	8947000000

Accessories

markers		Type	Order No.
	9*11 mm, white	ESG 9/11K MC NEUTRAL	1857440000
Labels			
	9*11 mm, white	LM MT DIN A5 9/11 WS	1964070000
	9*11 mm, blue	LM MT DIN A5 9/11 BL	1964100000
	9*11 mm, yellow	LM MT DIN A5 9/11 GE	1964110000
	9*11 mm, grey	LM MT DIN A5 9/11 GR	1964080000
	9*11 mm, green	LM MT DIN A5 9/11 GN	1964120000
	9*11 mm, orange	LM MT DIN A5 9/11 OR	1964090000
Note			

Technical data

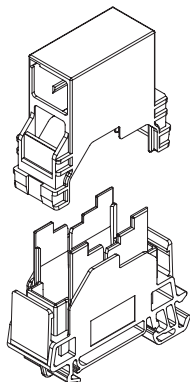
Protection class	IP 20
Housing material	PA UL94 VO
Colour	light grey (RAL 7035)
Installation	for terminal rail TS35
Plugging cycles	1000 plugging cycles for plugs to IEC 61754
Operating temperature, min. / max.	-25 °C / 70 °C

Note:



Mounting rail outlet USB

- IP 20
- TS35



TO-USB

Mounting rail outlet USB

Application:

Weidmüller mounting rail outlets should be your first choice in the switchgear cabinet when you need to connect

- USB-A cable.

Ordering data

USB	Type	Order No.
TO-USB	IE-TO-USB	8946960000

Accessories

markers	Type	Order No.
9*11 mm, white	ESG 9/11K MC NEUTRAL	1857440000
Labels		
9*11 mm, white	LM MT DIN A5 9/11 WS	1964070000
9*11 mm, blue	LM MT DIN A5 9/11 BL	1964100000
9*11 mm, yellow	LM MT DIN A5 9/11 GE	1964110000
9*11 mm, grey	LM MT DIN A5 9/11 GR	1964080000
9*11 mm, green	LM MT DIN A5 9/11 GN	1964120000
9*11 mm, orange	LM MT DIN A5 9/11 OR	1964090000
Note		

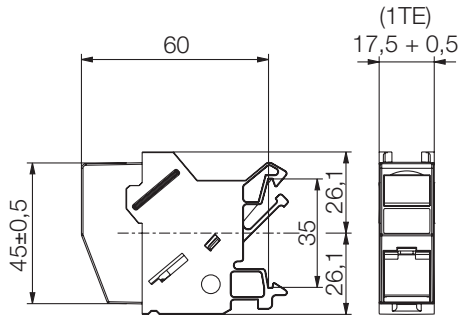
Technical data

Protection class	IP 20
Housing material	PA UL94 VO
Colour	light grey (RAL 7035)
Installation	for terminal rail TS35
Operating temperature, min. / max.	-25 °C / 70 °C

Note:

Terminal rail outlets

- Cat.6
- IP 20
- TS35



Terminal rail outlets

Application:

Weidmüller mounting rail outlets should be your first choice in the switchgear cabinet when you need to connect

- installation cables,
- RJ45 cables,
- Fibre optic cable with ST connectors

The differences:

- 8808360000: RJ45 module insert for connecting conductor from AWG26 to AWG22; colour-coded acc. to EIA/TIA 568 A
- 8891980000: RJ45 module insert for connecting conductor from AWG26 to AWG22, colour-coded acc. to EIA/TIA 568 B
- 8879050000: coupling insert RJ45 to RJ45
- 8808340000: coupling insert ST to ST

Ordering data

with Coupling	Type	Order No.
RJ45 - RJ45	IE-XM-RJ45/RJ45	8879050000
ST - ST	IE-XM-ST/ST	8808340000
with module insert		
RJ45 module EIA/TIA 568 A	IE-XM-RJ45/IDC	8808360000
RJ45 module EIA/TIA 568 B	IE-XM-RJ45/IDC-B	8891980000

Accessories

Type	Order No.	
Outlet marker	IE-DM	8813500000

Technical data

Category	Cat.6 (IEC 11801)
Protection class	IP 20
Housing material	PA 66; UL 94: V0
Colour	light grey (RAL 7035)
Plugging cycles	750 plugging cycles for plugs to IEC 60603-7
Installation	for terminal rail TS35

Note: